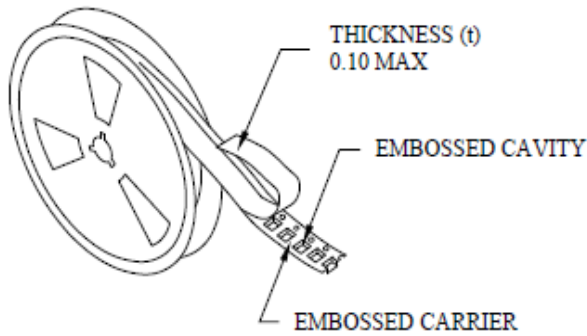
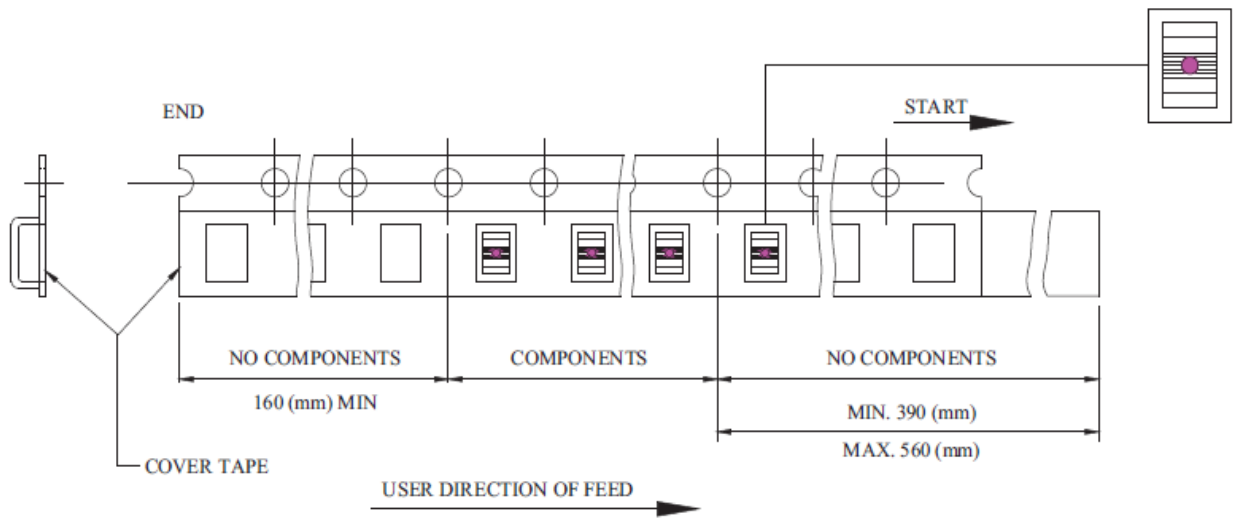
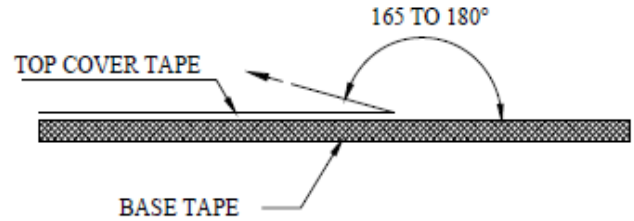


## Packaging Information

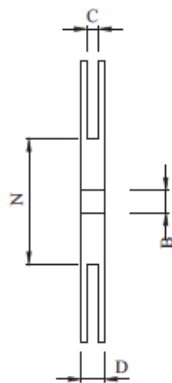
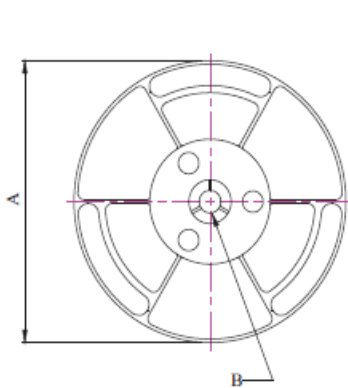


- THE FORCE FOR TEARING OFF COVER TAPE IS 10 TO 100 GRAMS IN THE ARROW DIRECTION.

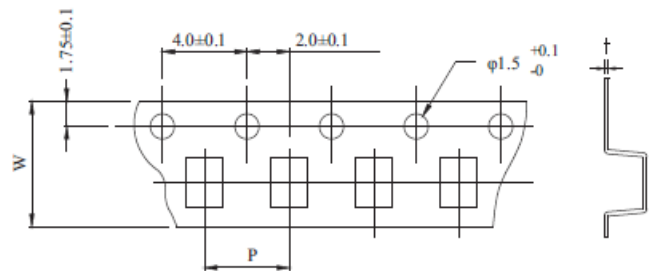


### ■ CARRIER TAPE REELS (mm)

MATERIAL: PLASTIC



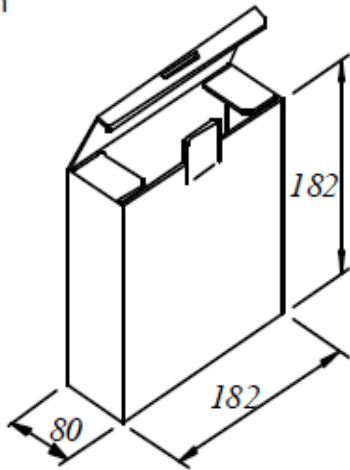
### ■ DIMENSIONS OF CARRIER TAPE (mm)



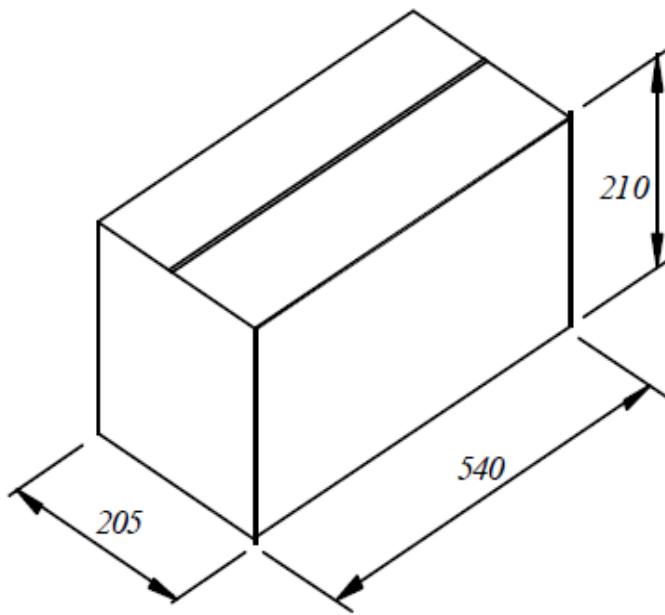
UNIT : mm

	A	B	C	D	N	P	W	t
DIM.	180	13.0	8.4	14.4	50	4.0	8.0	0.25
TOL.	MAX.	+0.5-0.2	+2.0-0	MAX	MIN.	±0.1	±0.2	±0.05

UNIT: mm



- CONSTRUCTION:  
A BOX CONTAINS 5 REELS  
QTY : 4,000/REEL  
20,000 / BOX



TOTAL Q'TY : 120,000 PCS